



**CEODEUX**  
**INDUTEC**

High pressure brass angle valve for oxygen, O-ring seal type,  
orifice diameter 4 mm



### KEY FEATURES

- High pressure brass cylinder valve for oxygen service
- Low torque operation
- No risk of oxygen ignitions
- Safe, long, trouble-free life under all service conditions
- $\pi$  marking according TPED
- Tested according EN 849 and CGA V9 standards

### STANDARD SPECIFICATION

Working pressure pmax.	300 bar
Temperature range	-40°C up to + 65°C
Seat orifice size	4 mm
Helium leak rate	at pmax.
• internal	10 <sup>-3</sup> mbarl/sec
• external	10 <sup>-3</sup> mbarl/sec
Material	
• valve body	brass
• seat disc	Polyamid
• O-rings	EPDM
• handwheel	aluminium
In- and outlet connections in accordance with	all standards



**SERIES ATTRIBUTION**

	Working pressure	bursting disc
C 110	300 bar	without safety
C 115	300 bar	with safety

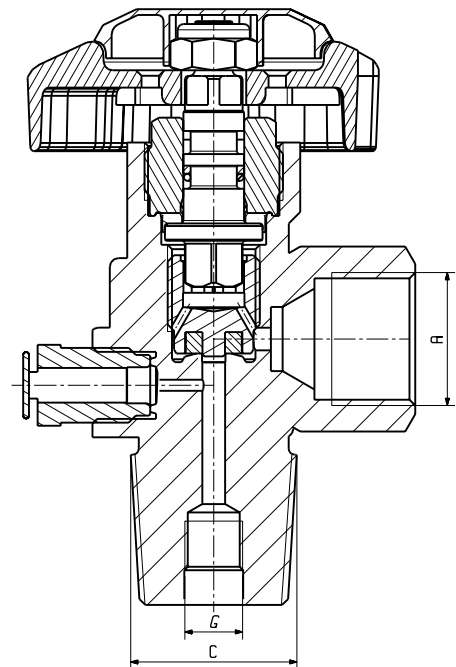
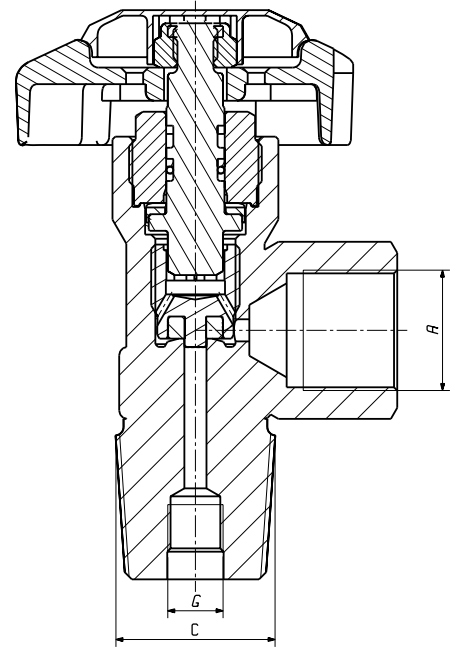
**OPTIONS**

- Key operation
- Coloured handwheel
- Plastic handwheel cap with customer's logo
- Chrome plating
- Parallel thread
- Thread for dip tube connection
- Filter

**ORDERING**

When ordering, please specify:

- Serial number or range
- Type of gas
- Connections dimensions and standard
- Options and special features
- Safety burst pressure



Droits de modifications réservés / All rights of change reserved / Änderungsrechte vorbehalten