



CEODEUX

PURETEC

High pressure cylinder valves, packed 2-piece sturdy stem design, for corrosive technical gases



KEY FEATURES

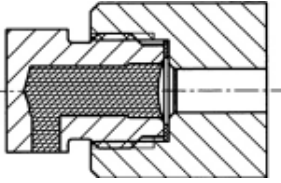
- 2 - piece sturdy stem design
- Non rotating, threadless lower spindle
- No particle shedding threading in gas wetted valve cavity
- Adjustable gland packing - in the unlikely event of a leakage occurring past the valve spindle, when opening the valve, rectification is readily achieved by retightening the gland packing nut
- Left hand threaded counter screw to secure sealing mechanism even under excessive torque

STANDARD SPECIFICATION

Working pressure p _{max}	200 bar/3000 psi
Temperature range	-20°C up to + 70°C
Helium leak rate	at p _{max}
• internal	10 ⁻⁵ mbarl/sec
• external	10 ⁻⁵ mbarl/sec
• safety	10 ⁻⁸ mbarl/sec
Flow coefficient C _v	1,1
Seat orifice size	6 mm
Gas wetted materials	see table on backside



DESIGN VARIANT



SAFETY DEVICE

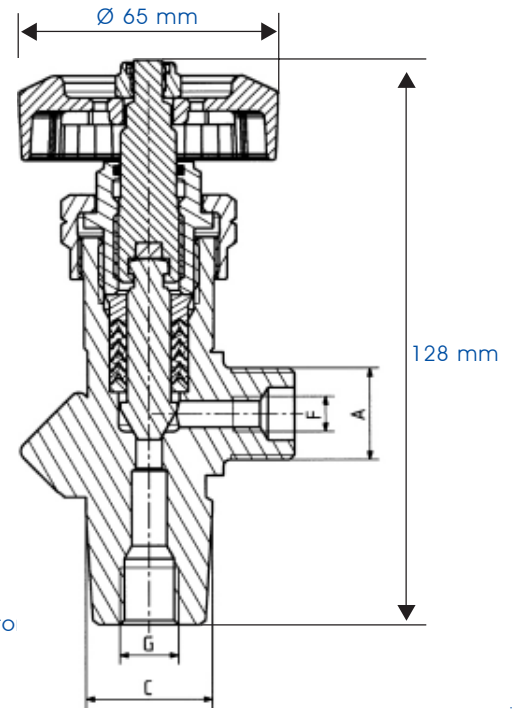
Pressure relief devices are in accordance with CGA S-1.1
Burst disc materials are nickel or AISI 316L

OPTIONS

- Threading for flow restrictor
- Key operation
- Dip tube connection

ORDERING

- When ordering, please specify:
- Serial number or range
 - Type of gas
 - Connections
 - Safety device specifications
 - Options and special features



Connections:
A outlet
C inlet
F flow restricto
G dip tube

SERIES	D165 1	D165 2	D165 3	D165 4
Body material	AISI 303	St52-3	Brass	AISIBz
Body material	AISI 316L	9SMn28		
Body material				

GAS WETTED MATERIALS

BODY	PACKING		SPINDLE			WASHER			
	PTFE	AISI 303	AISI 303 gold-plated	Monel	AISI 303	AISI 316L	Brass	AISIBz	
AISI 303	■		■		■				
AISI 316L	■			■		■			
St52-3	■		■		■				
9SMn28	■		■		■				
Brass	■	■					■		
AISIBz	■			■				■	

Droits de modifications réservés / All rights of change reserved / Änderungsrechte vorbehalten