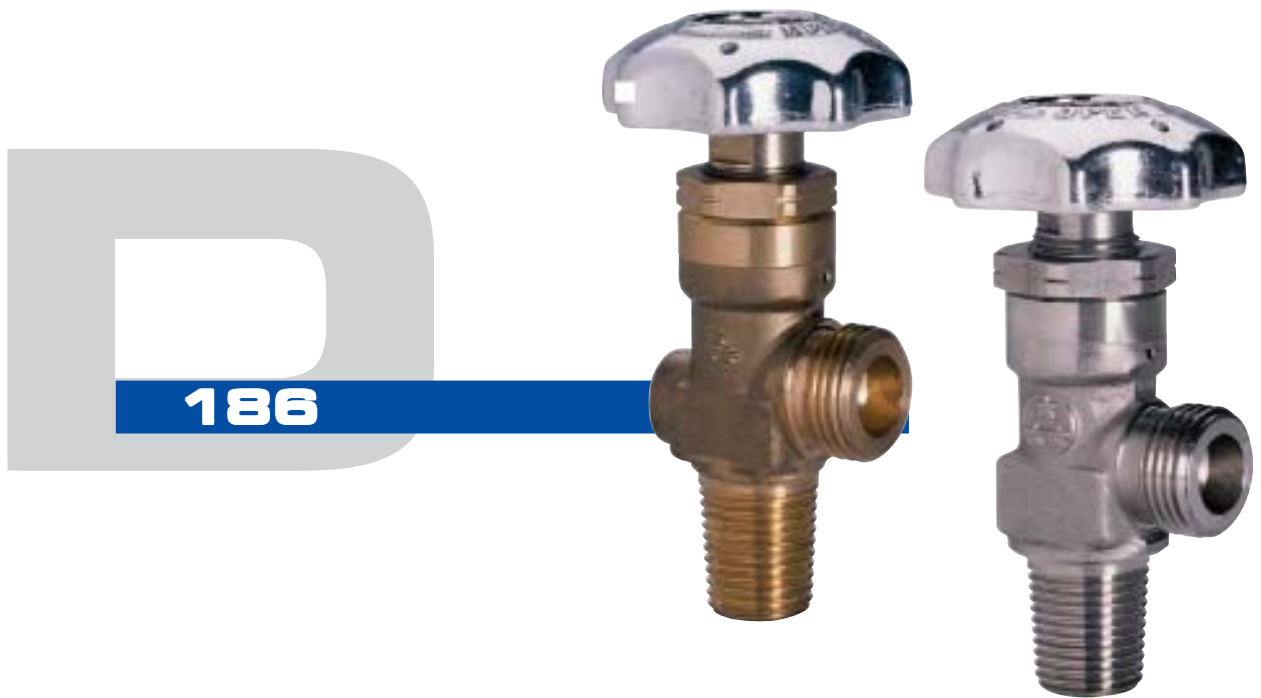




CEODEUX

PURETEC

High pressure lecture bottle valves, packed design,
for various gases



KEY FEATURES

- Adjustable gland packing - in the unlikely event of a leakage occurring past the valve spindle, when opening the valve, rectification is readily achieved by retightening the gland packing nut
- Spindle threads not in gas wetted area
- Gland nut locked with hexagon nut
- Self centering seat offers low closing torques

STANDARD SPECIFICATION

Working pressure p _{max}	200 bar/3000 psi
Temperature range	-20°C up to + 70°C
Helium leak rate	at p _{max}
• internal	10 ⁻⁵ mbarl/sec
• external	10 ⁻⁵ mbarl/sec
Flow coefficient C _v	0,25
Seat orifice size	3 mm
Gas wetted materials	see table on backside



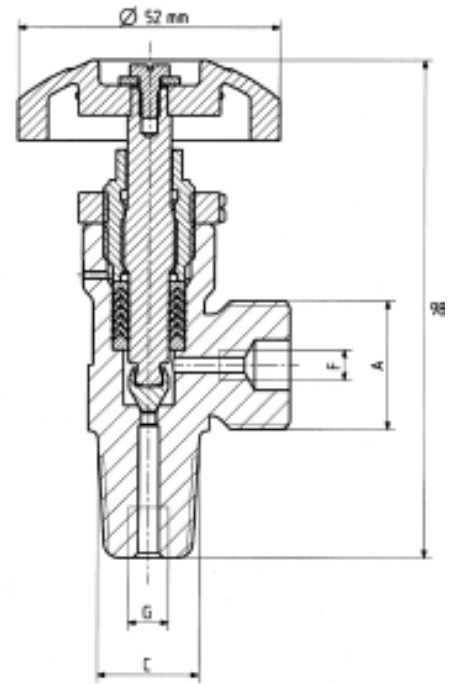
OPTIONS

- Threading for flow restrictor
- Dip tube and/ or dip tube connection

ORDERING

When ordering, please specify:

- Serial number or range
- Type of gas
- Connections
- Options and special features



Connections:
A outlet
C inlet
F flow restrictor
G dip tube

SERIES	D186 1	D186 3	D186 4
Body material	AISI 303	Brass	AISI Bz
Body material	AISI 316L		
Body material			

GAS WETTED MATERIALS

BODY	PACKING	CONE	SPINDLE		WASHER		
	PTFE	AISI 303 gold plated	Monel	AISI 316L	AISI 316	Monel	AISI 316L
AISI 303	■	■			■		■
AISI 316L	■	■			■		■
AISI Bz	■		■			■	
Brass	■			■	■		

Droits de modifications réservés / All rights of change reserved / Änderungsrechte vorbehalten