



CEODEUX

PURETEC

High pressure cylinder valves, diaphragm seal type, for high purity gases



KEY FEATURES

- Soft seat sealing offers low operating torque
- Valve seat captivated to avoid extrusion and blockage of the valve
- High leak tightness integrity through diaphragm sealing
- High performance thrust with ball
- Open / close indicator

STANDARD SPECIFICATION

Working pressure p _{max}	200 bar for Europa /5500 psi for USA
Temperature range	-20°C up to +65°C
Helium leak rate	at p _{max}
• internal	10 ⁻⁷ mbarl/sec
• external	10 ⁻⁷ mbarl/sec
• safety	10 ⁻⁷ mbarl/sec
Flow coefficient C _v	??????????????
Seat orifice size	3,5 mm
Gas wetted materials	see table on backside



DESIGN VARIANT

Drawing=D195

Safety device

Pressure relief devices are in accordance with CGA S-1.1,
EN ISO 4126 or other national standards
Burst disc materials are nickel or AISI 316L

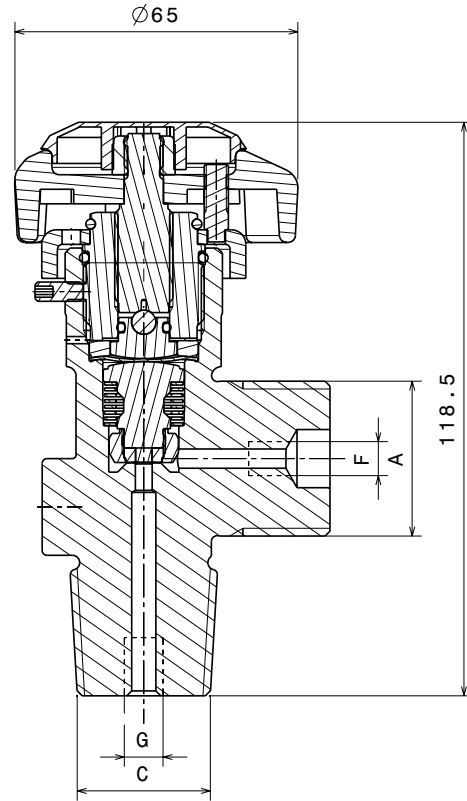
OPTIONS

- Chrome or nickel plating for brass valves
- Alternative body materials and seat disc materials: PCTFE, PI, PA6.6
- Gas wetted components electrochemically polished
- Clean room assembling
- Cleaning for UHP / ECD applications
- Dip tube connections
- Flow restrictor threading

ORDERING

When ordering, please specify :

- Serial number or range
- Body material
- Type of gas
- Connections
- Safety device specifications
- Options and special features



GAS WETTED MATERIALS

BODY	DIAPHRAGM	LOWER SPINDLE			SEAT DISC		
	Elgiloy	AISI 303	AISI 316 L	BRASS	PCTFE	PI	PA6.6
AISI 303	■	■			■		
AISI 303	■	■				■	
AISI 316L	■		■		■		
AISI 316L	■		■			■	
BRASS	■			■	■		
BRASS	■			■		■	
BRASS	■			■			■

Droits de modifications réservés / All rights of change reserved / Änderungsrechte vorbehalten