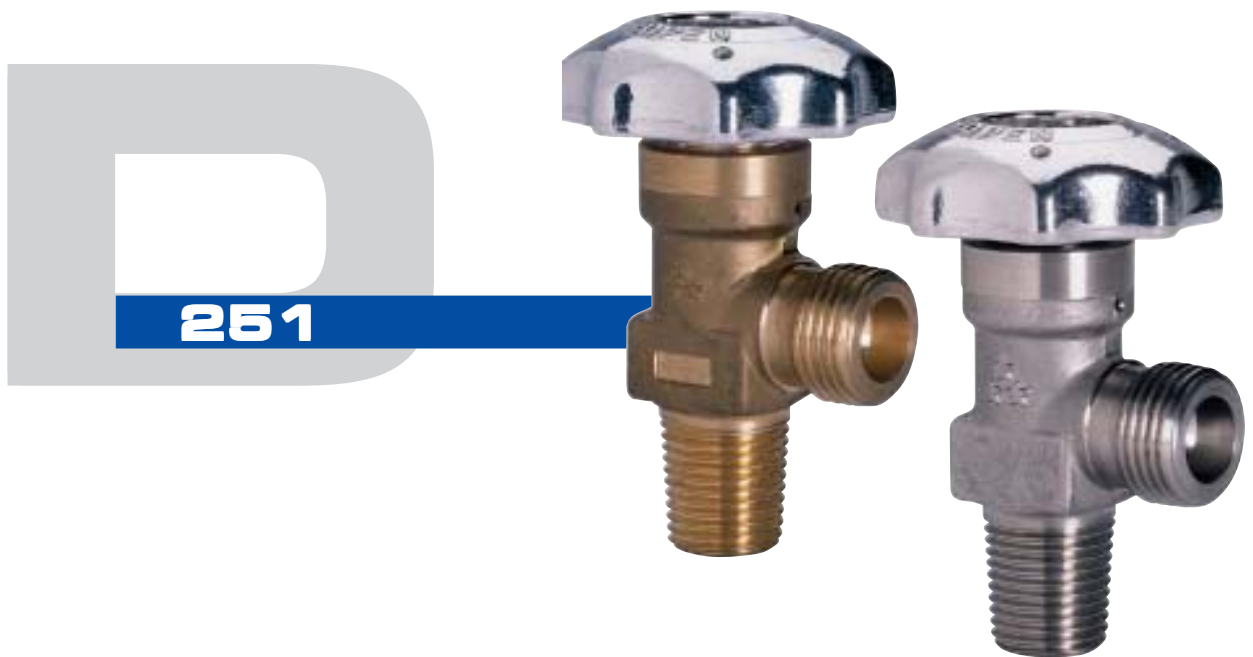




# CEODEUX

## PURETEC

High pressure lecture bottle valves, diaphragm seal type with metal to metal seat, for various gases



### KEY FEATURES

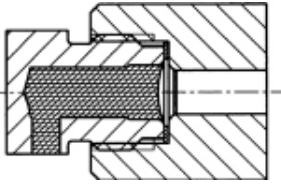
- All metal seal, no contamination
- Easy operation under high pressure
- O-rings fitted into the gland to exclude penetration of humidity

### STANDARD SPECIFICATION

Working pressure pmax	200 bar/3000 psi
Temperature range	-20°C up to + 70°C
Helium leak rate	at pmax
• internal	10 <sup>-7</sup> mbarl/sec
• external	10 <sup>-7</sup> mbarl/sec
Flow coefficient C <sub>v</sub>	0,2
Seat orifice size	2,5 mm
Gas wetted materials	see table on back side



**DESIGN VARIANT**



**SAFETY DEVICE**

Pressure relief devices are in accordance with CGA S-1.1  
Burst disc materials are nickel or AISI 316L

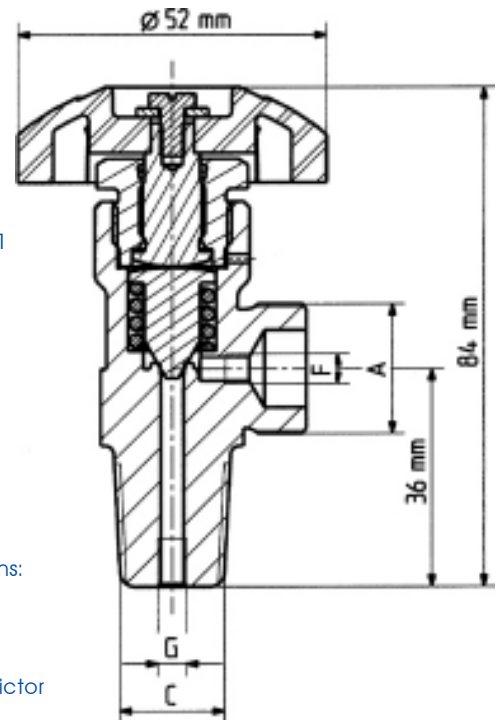
**OPTIONS**

- Alternative body materials
- Threading for flow restrictor
- Dip tube connection

**ORDERING**

When ordering, please specify:

- Serial number or range
- Type of gas
- Connections
- Safety device specifications
- Options and special features



Connections:  
A outlet  
C inlet  
G dip tube  
F flow restrictor

SERIES	D251 1	D251 3	D251 4
Body material	AISI 303	Brass	AlSiBz
Body material	AISI 316L		
Body material			
with / without safety device			

**GAS WETTED MATERIALS**

BODY	LOWER SPINDLE		
	DIAPHRAGM	AISI 303	Nickel
AISI 303	■		■
AISI 316L	■		■
BRASS	■	■	
Al Si Br	■	■	

Droits de modifications réservés / All rights of change reserved / Änderungsrechte vorbehalten